

KUZEY
EKSTRA



GLACIO-X

Your dream , **Our Challenge**

Creative solutions for refrigerated counters and display units

KUZEY EKSTRA DIŐ TİCARET VE ÜRETİM LTD.ŐTİ.

Established in 2017, provide solutions to Industrial Cabinet manufacturers by designing and producing intermediate and semi-finished OEM products

We are good at;

Tailor made special solutions,

High expertise,

Quick response,

Cost effective designs,

Design consultance support.



KALİTE YÖNETİMİ
QUALITY MANAGEMENT

KUZEY EKSTRA DIŞ TİC. VE ÜRETİM LTD. ŞTİ.

kuruluşunun,
company,

Orta Mah. Keban sok. No:10B İç Kapı No:8 Tuzla / İstanbul // Türkiye

adresinde,
at address,

SOĞUTMA SEKTÖRÜNE YÖNELİK OLARAK SOĞUTUCU DOLAPLAR VE EKİPMANLAR İÇİN
LED AYDINLATMALARIN, PLEKSİGLASS, POLİKARBON VE ALÜMİNYUMDAN MAMÜL
PARÇALARIN ÜRETİMİ VE SATIŞI İLE HER TÜRLÜ SARF MALZEMELERİNİN VE
EKİPMANLARIN SATIŞI

PRODUCTION AND SALE OF LED LIGHTING, PARTS MADE OF PLEXIGLASS, POLYCARBONATE AND
ALUMINUM FOR REFRIGERATORS AND EQUIPMENT FOR THE REFRIGERATION SECTOR, AND SALES
OF ALL KINDS OF CONSUMABLES AND EQUIPMENT

kapsamında
at scope

kalite yönetim sistemi yürürlüğe koyduğu,
perform the quality management system,

ISO 9001: 2015

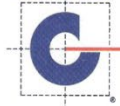
standart taleplerinin yerine getirildiği belirlenmiştir.
the complete of the standard was determined,

İlk Yayın Tarihi / Date First Registered : 27.09.2024
Yeniden Bel. Tarihi / Re-certification Date : -
Yayın Tarihi / Date Certificate Issued : 26.09.2025
Geçerlilik Periyodu / Period of Registration : 3 Yıl / Years
Geçerlilik Tarihi / Date Certificate Expires : 26.09.2026
Sertifika Numarası / Certificate No : 01/14135/02



Onay:
Approved by:

JAS-ANZ



www.jas-anz.org/register

Bu sertifikamın geçerliliği, yılda en az bir kez yapılacak gözetim denetiminin başarıyla geçmesine bağlıdır.
The Validity of this certificate, subject to successful completion of surveillance audit which will take place at least once a year.

Our desire ;

to develop the perfect product
for our customers' applications;

Our goal ;

constantly create innovative
solutions.

PRODUCTS

Display Case Hardware

- Flat Lift Up Systems
- Curve Lift Up Systems
- Bended Lift Up System
- Tilt Down System

Sliding System

Acrylic – Solid Polycarbonate

LED Lighting System

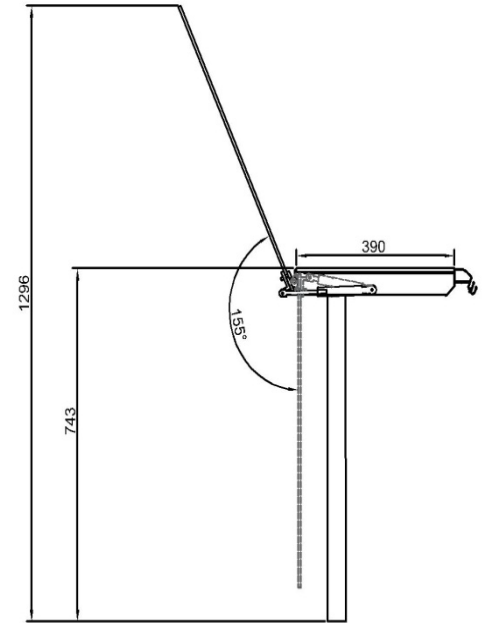
Under Shelf – Canopy - Serve Over Counter

Night Blind Systems

Gas Spring – GLACIOx

Shop Fitting Solutions - KUZHEY PLEKSI

DISPLAY CASE HARDWARE – FLAT LIFT UP



GX-FG

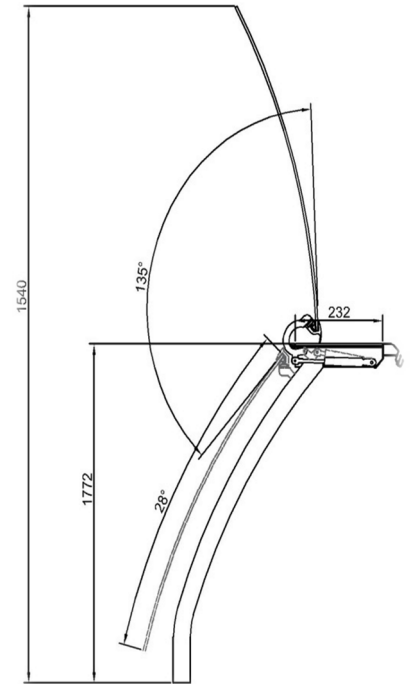
625	937	1250	1875	2500	2812	3125	3750
OC45	OC90	OCC45	OCC90	IC45	IC90	ICC45	ICC90

DISPLAY CASE HARDWARE – FLAT LIFT UP



GX-FG OC-IC90°

DISPLAY CASE HARDWARE – CURVE LIFT UP



GX-CG

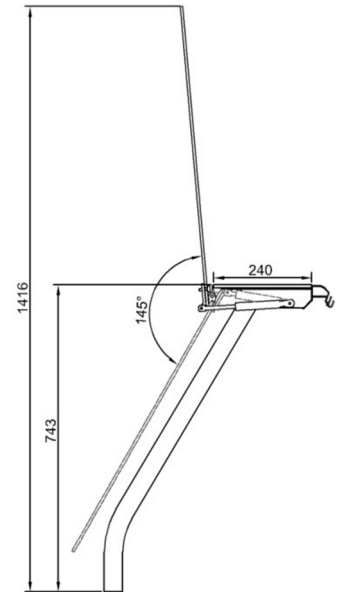
625	937	1250	1875	2500	2812	3125	3750
OC45	OC90	OCC45	OCC90	IC45	IC90	ICC45	ICC90

DISPLAY CASE HARDWARE – CURVE LIFT UP



GX-CG OC-IC90°

DISPLAY CASE HARDWARE – BENDED LIFT UP



GX-IFG

625	937	1250	1875	2500	2812	3125	3750
OC45	OC90	OCC45	OCC90	IC45	IC90	ICC45	ICC90

DISPLAY CASE HARDWARE – TILT DOWN



GX-TD

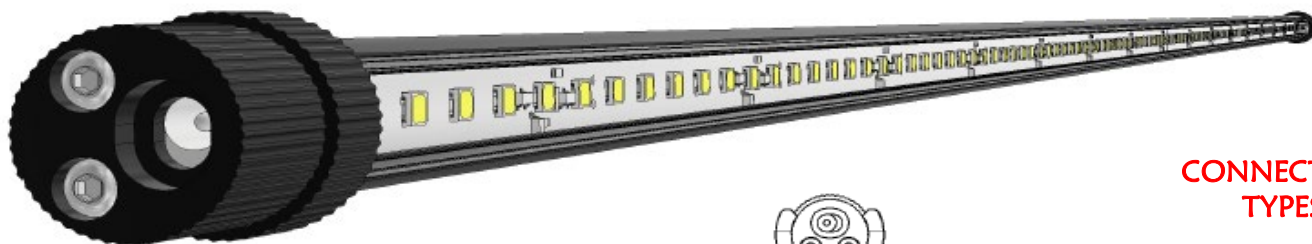
625	937	1250	1875	2500	2812	3125	3750
OC45	OC90	OCC45	OCC90	IC45	IC90	ICC45	ICC90

SLIDING SYSTEM & Profiles

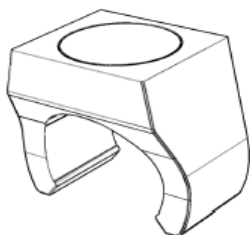


625	937	1250	1875	2500	2812	3125	3750
OC45	OC90	OCC45	OCC90	IC45	IC90	ICC45	ICC90

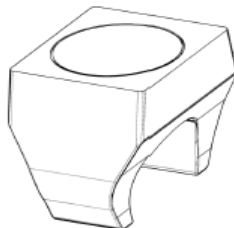
LIGHTING SOLUTIONS



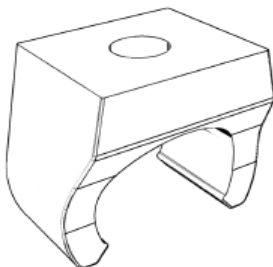
LCPEP04
Magnetic Side Holder



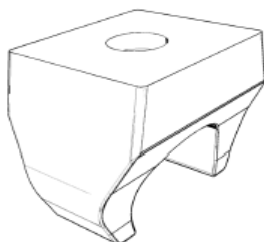
LCPEP03
Magnetic Middle Holder



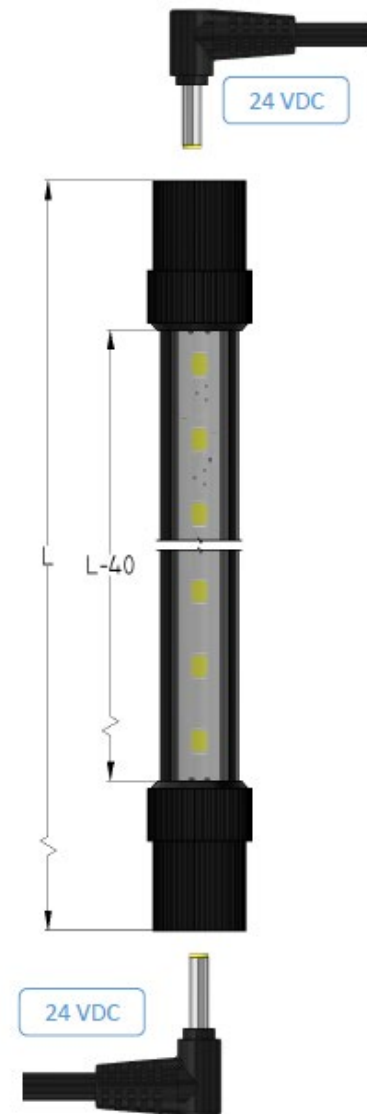
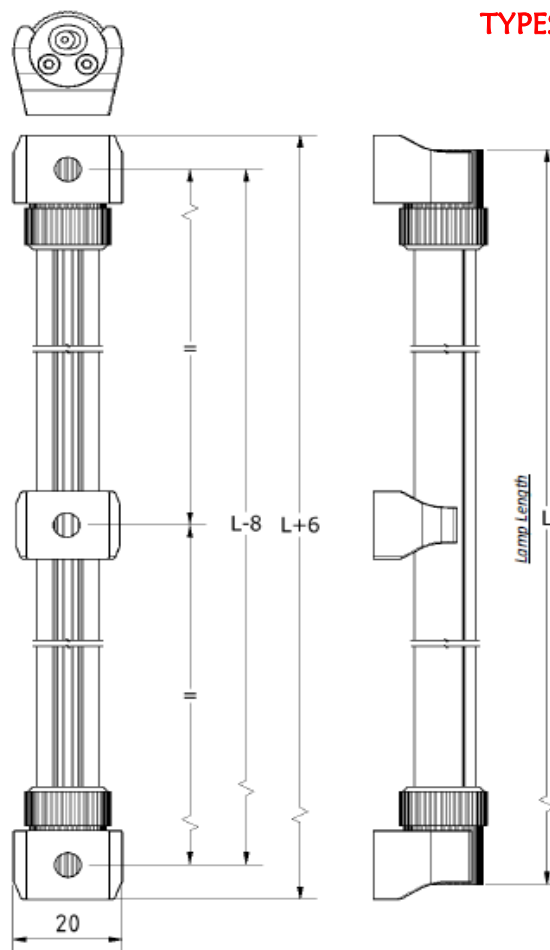
LCPEP05
Screwed Side Holder



LCPEP02
Screwed Middle Holder



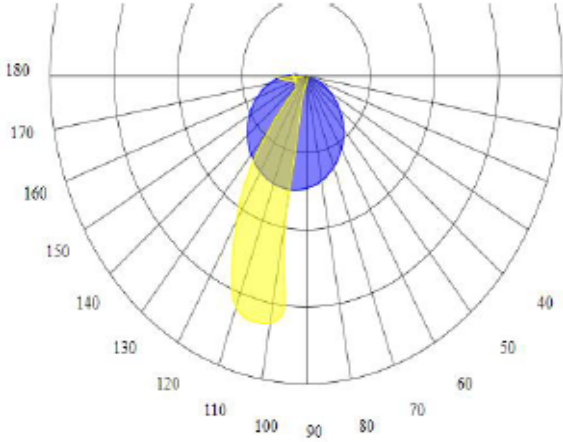
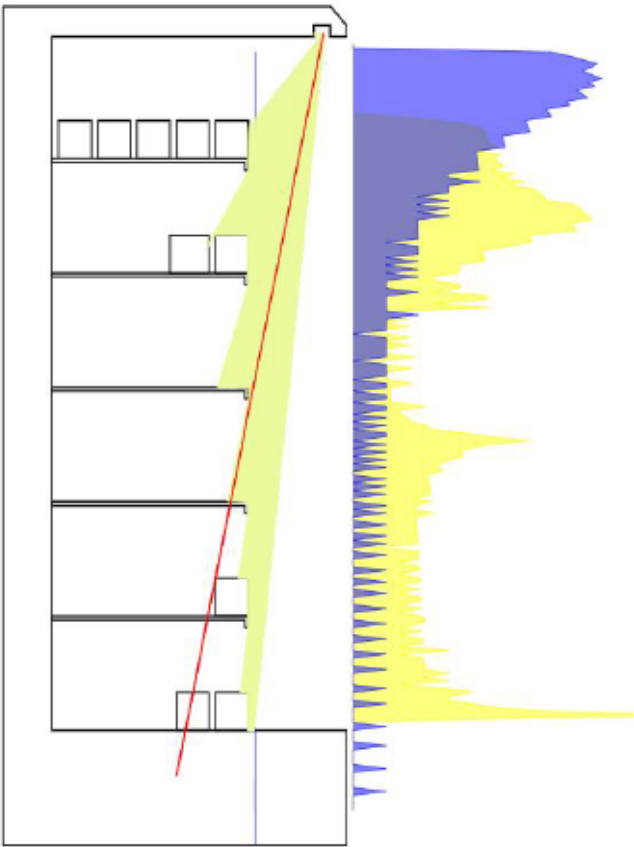
CONNECTION TYPES



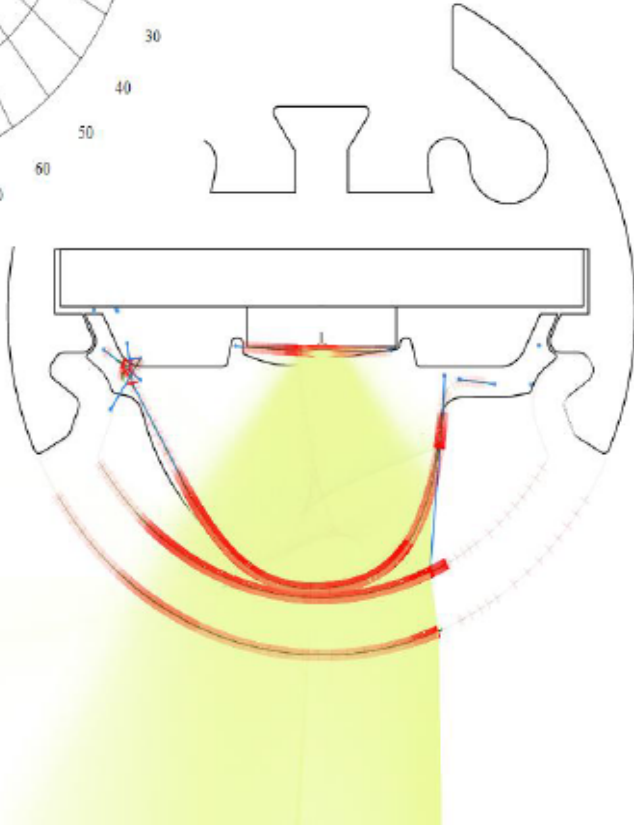
LIGHTING SOLUTIONS

Application specific lens design. Just to illuminate products...

Without Lens With Lens



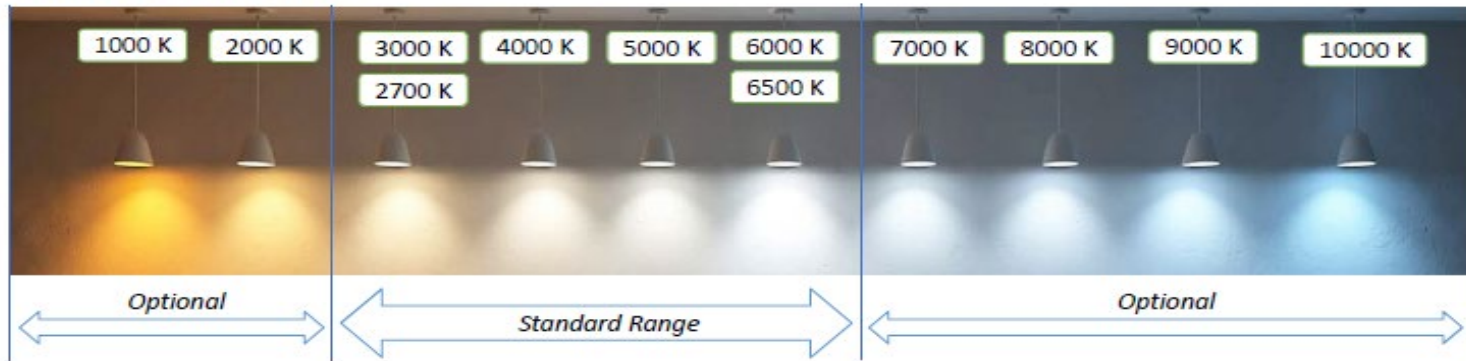
X 2.50 Y 19.79 X -7.50 Y 9.79 Lens



- Application Types**
- CC:Chiller Canopy
 - US:Under Shelf
 - CV:Chiller Vertical
 - FV:Frozen Vertical
 - FH:Frozen Horizontal
 - SO:Serve Over
 - CX.....:Customized

LIGHTING SOLUTIONS

Color Temperatures



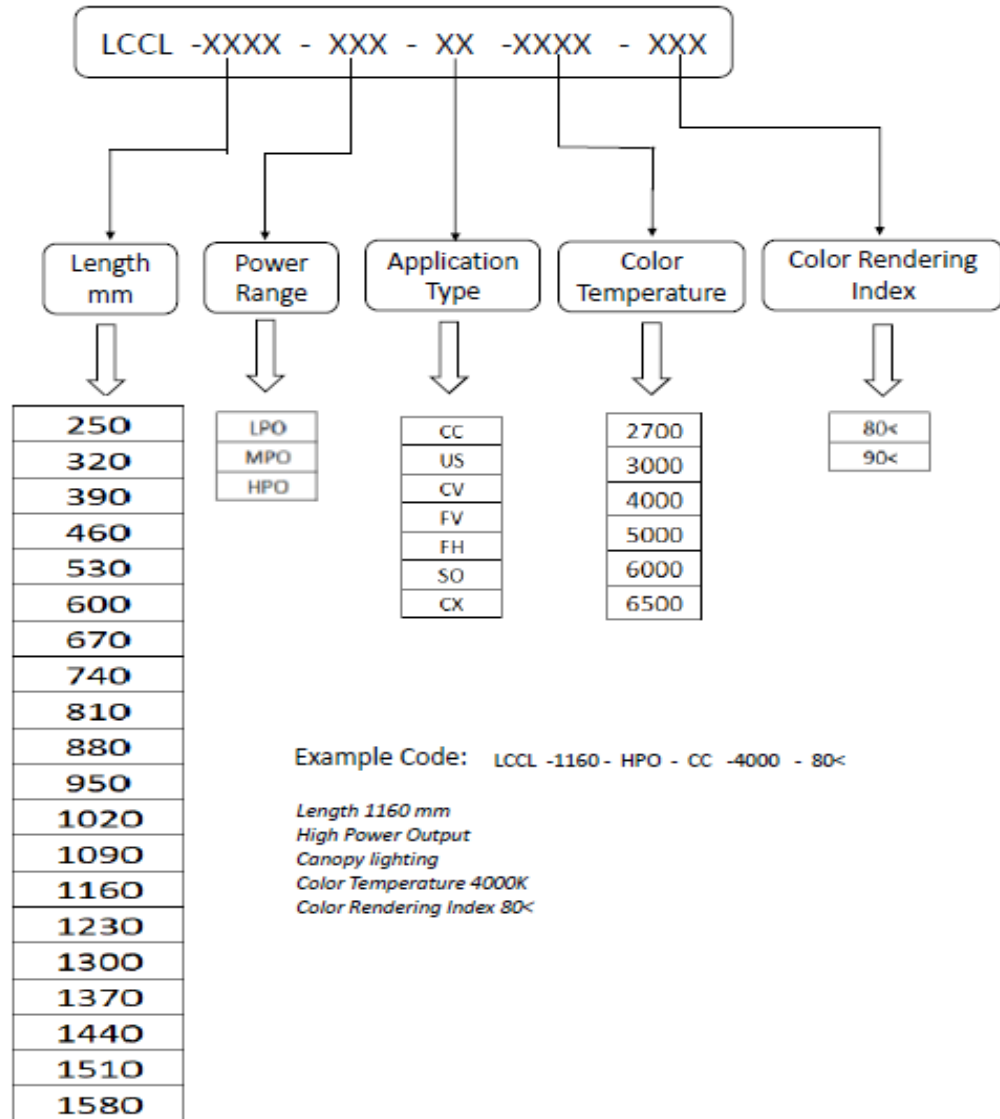
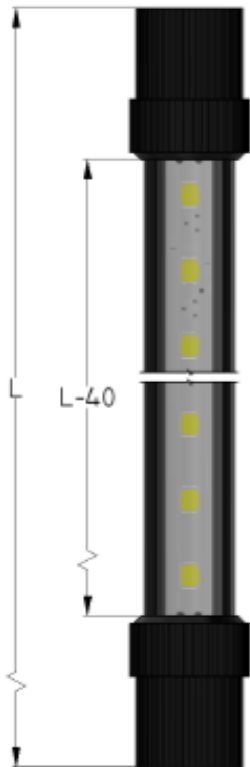
50 CRI

80 CRI

90+ CRI

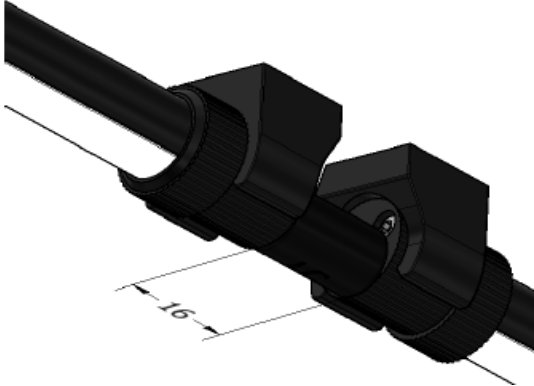
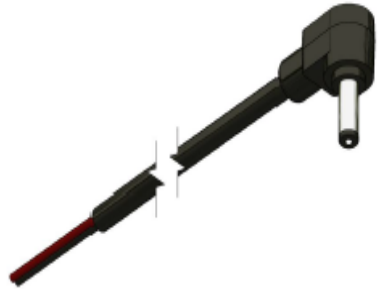
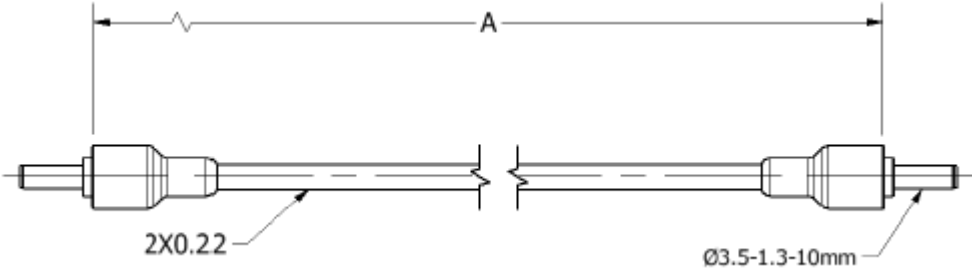


LIGHTING SOLUTIONS



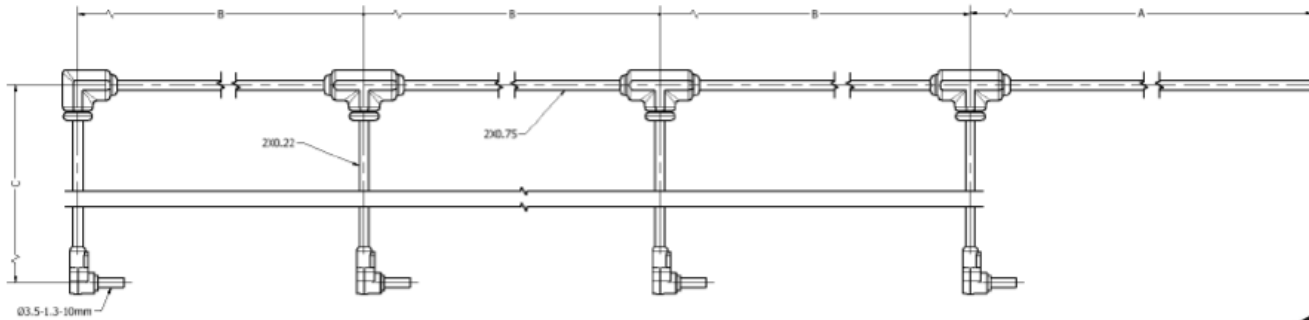
LIGHTING SOLUTIONS

Suitable for Vertical Lighting

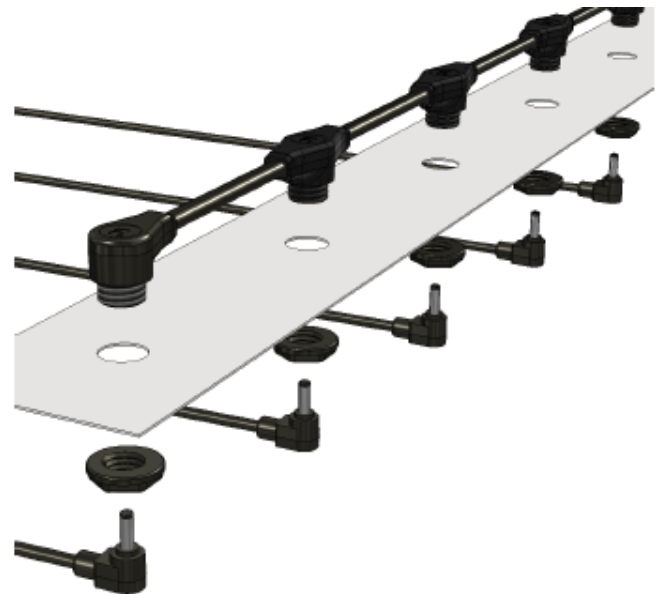
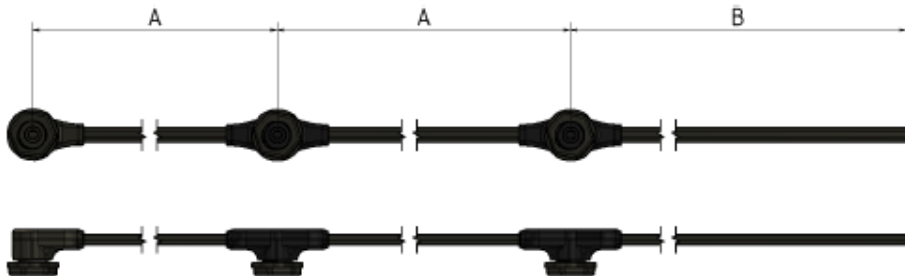


LIGHTING SOLUTIONS

IP 67 CABLE TREE WITH 90 DC JACK
SUITABLE FOR UNDER SHELF AND CANOPY LIGHTING

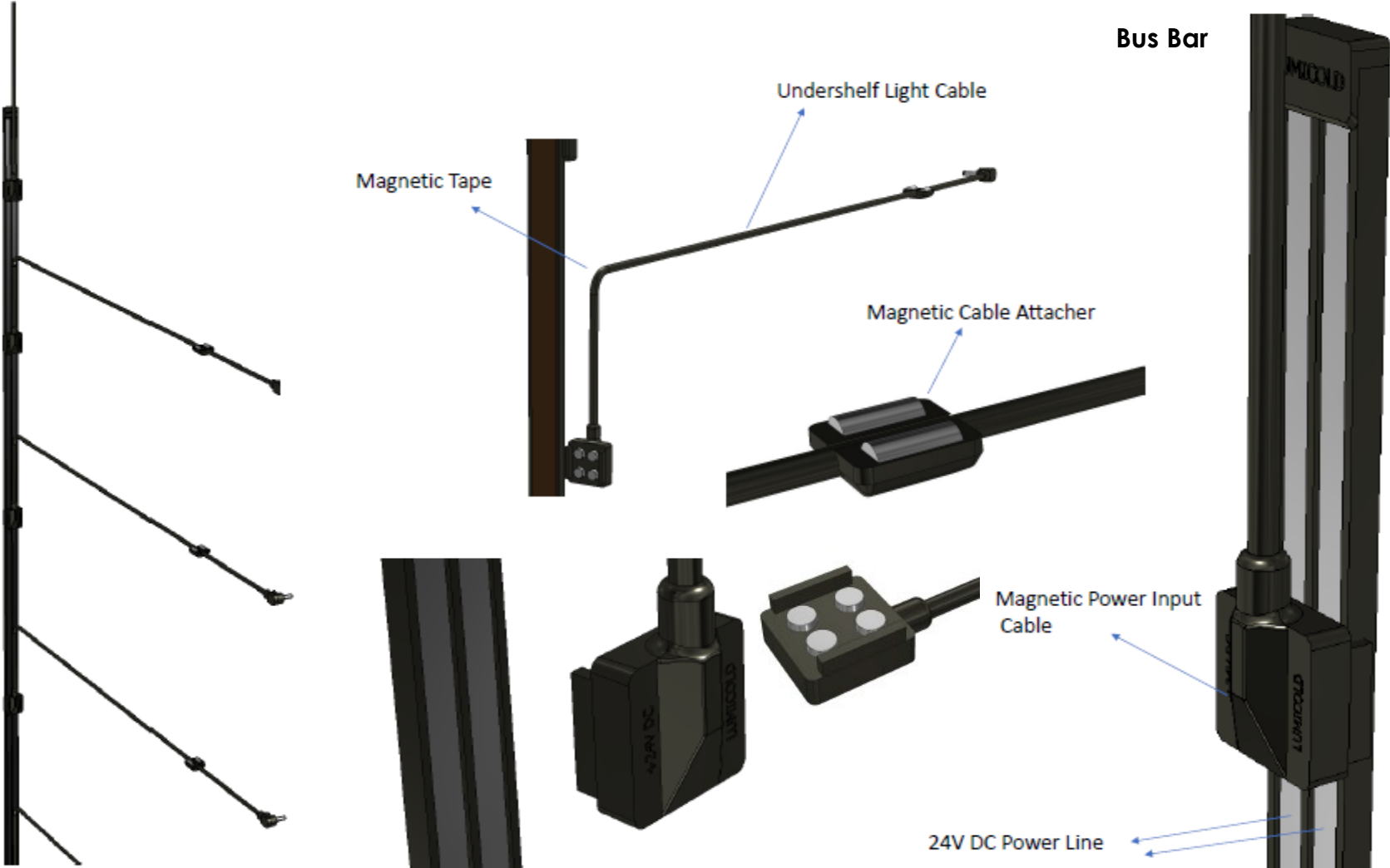


IP 67 CABLE TREE PLUG TYPE
SUITABLE FOR UNDER SHELF AND CANOPY LIGHTING



LIGHTING SOLUTIONS

MAGNETIC RAIL SYSTEM FOR UNDERSHELF LIGHTING



NIGHT BLIND SYSTEMS



- * Speed Reducer
- * Positioning



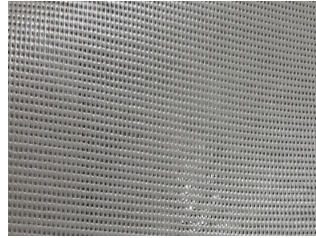
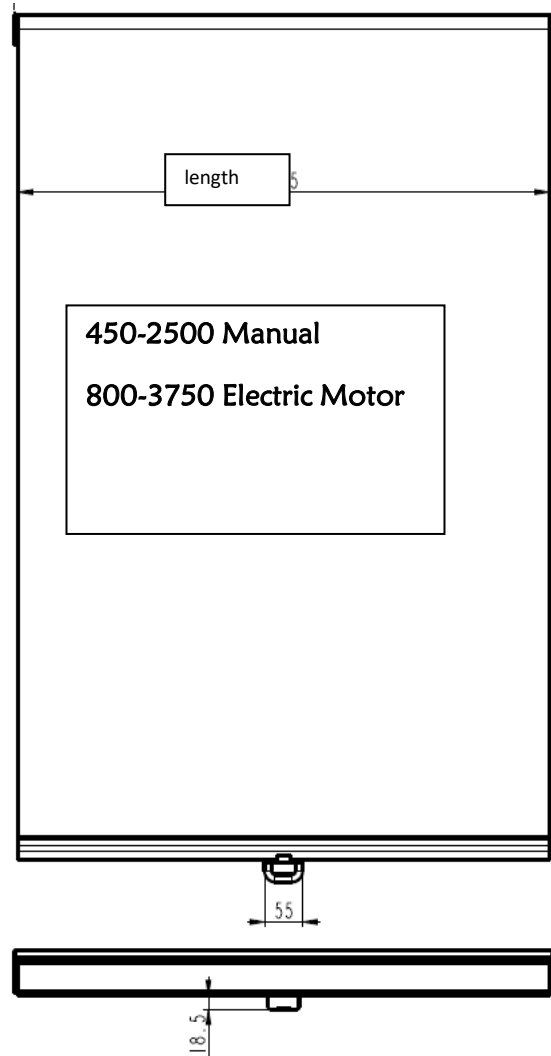
GX-CG

625

937

1250

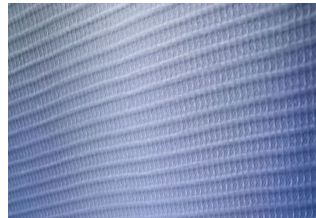
NIGHT BLIND SYSTEMS



Gray Perforated Holed Fabric



Silver Perforated Holed Fabric



Silver Laminated Fabric



Laminated Super Clear PVC

GAS SPRING



Stainless Steel





KUZZEY
PLEXI

SHOP FITTING SOLUTIONS



Led
Box



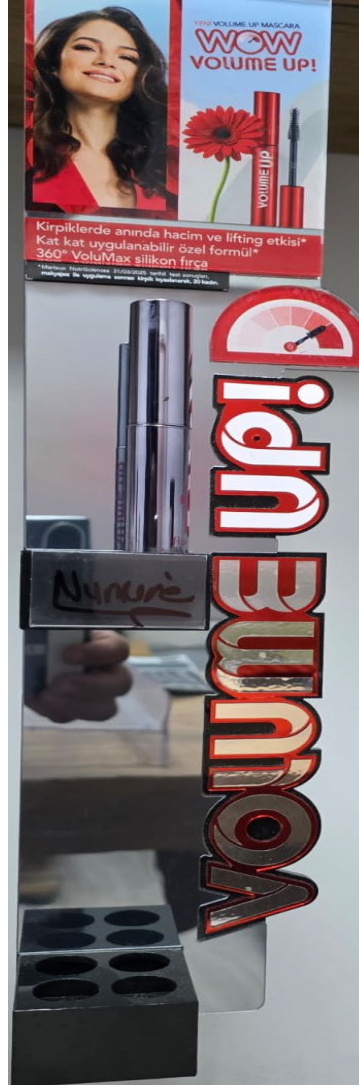
QUANTUM DOT NANOCELL TEKNOLOJİSİ

LG QNED

SHOP FITTING SOLUTIONS



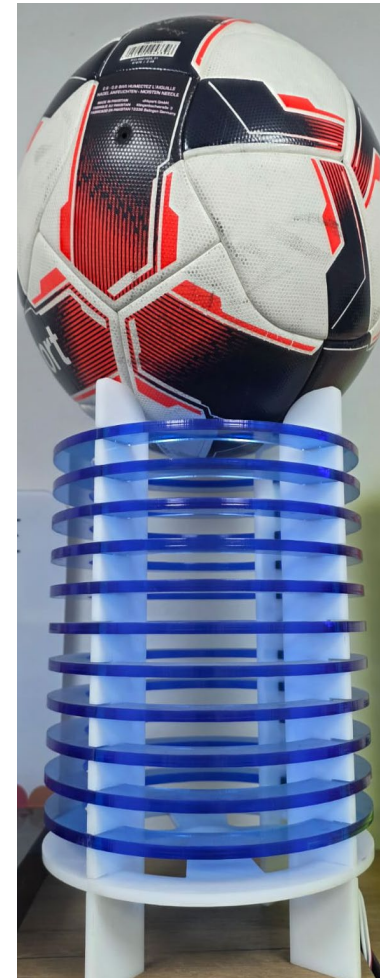
Product Shelf



SHOP FITTING SOLUTIONS



Product Shelf



SHOP FITTING SOLUTIONS



Product Shelf Changeable
Logo & Frame



SHOP FITTING SOLUTIONS



Product Shelf
Changeable Logo & Frame



ADRES :

Orta Mah. Keban Sok. No: 10/B İç Kapı No: 8
Tuzla – İSTANBUL

TELEFON : + 90 533 554 3162

FAX : + 90 216 396 65 34

E-mail: kamil@kuzeyextra.com
kamil@glaciox.com
sales@kuzeyextra.com
atahan@glaciox.com
oguz.yigit@kuzeyextra.com